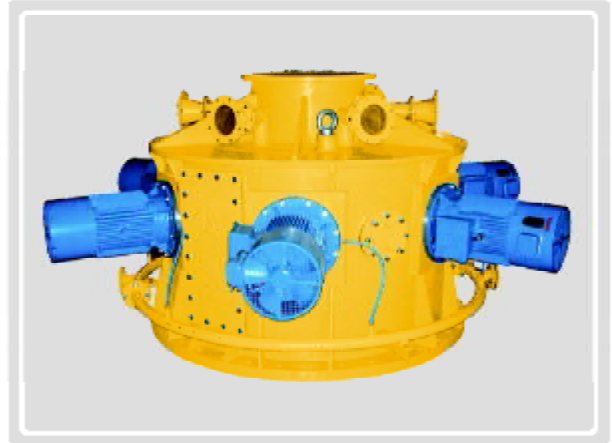


## HFV 系列气流分级机

Series HFV Pneumatic Classifier

### 工作原理(Work Principle):

分级机与旋风分离器、除尘器、引风机组成一套分级系统。物料在风机抽力作用下由分级机下端入料口随上升气流高速运动至分级区，在高速旋转的分级涡轮产生的强大离心力作用下，使粗细物料分离，符合粒径要求的细颗粒通过分级轮叶片间隙进入旋风分离器或除尘器收集，粗颗粒夹带部分细颗粒撞壁后速度消失，沿筒壁下降至二次风口处，经二次风的强烈淘洗作用，使粗细颗粒分离，细颗粒上升至分级区二次分级，粗颗粒下降至卸料口处排出。



Classifying system is composed of Classifier Cyclone separator, dust collector, and draft fan. Under the effect of draft fan, materials go into the classification area with rising air from the feed input at the bottom of classifier. Under the effect of strong centrifugal force caused by the high-speed rotary turbine role, coarse particles and fine particles separated. The fine particles meeting the requirements of particle size go into the cyclone separator or dust collector via the gap of classifier leaves. Coarse particles along with part of fine particles will be fined to powder immediately after impacting the wall and then fall down to the secondary air hole. Under the washing effect of secondary wind, coarse particles and fine particles separate. Fine particles go up to the classification area to be classified second time, while coarse particles go down to discharge from the outlet.

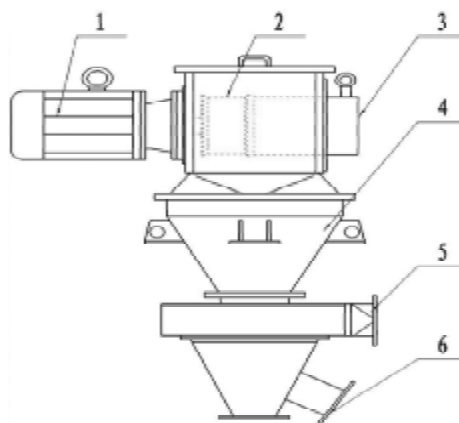
### 性能特点(Performance Features):

- ◆ 分级产品的粒度可达 D97: 3~150 微米，产品粒度无级可调，品种更换极其方便。
- ◆ 分级效率（提取率）60%~90%，分级效率与物料性质以及符合粒度的颗粒含量有关，物料流动性好，符合粒度颗粒含量高则分级效率高反之则低。
- ◆ 转速高，顶点切割准确，可多级分级机串联使用，同时生产多个粒度段的产品。
- ◆ 控制系统采用程序控制，运行状态实时显示，操作简便。
- ◆ 系统负压运行，粉尘排放量不超过 40mg/m<sup>3</sup>，设备噪音通过采用消音措施，不高于 75dB(A)。
- ◆ Classified products size to D97: 3-150 micrometers, adjustable products granularity-level, extremely convenient to replace species.
- ◆ Classification efficiency (extraction rate) 60%-90%, which is influenced by materials and consistent of the particles meeting the size; with good mobility and high consistent of the particles meeting the size, the materials classification efficiency is high; while without those, the efficiency is low.
- ◆ High speed and top-cutting precision. Multi-level classification machine can be cascaded, and production of various products size.
- ◆ Control system employs programmed control to indicate real-time operational status that is easy to operate.
- ◆ System operation under negative pressure, dust emissions is not exceeding to 40mg/m<sup>3</sup> and with noise-eliminator to confirm it is no more than 75dB (A).

## 应用范围 (Application):

广泛应用于化工、矿物（尤其适合碳酸钙、高岭土、石英、滑石、云母等非矿产品分级）、冶金、磨料、陶瓷、耐火材料、医药、农药、食品、保健品、新材料等行业。

Widely used for chemical, minerals (especially applicable for non- mineral products classification, such as calcium carbonate, kaolin quartz, talc, mica, etc), metallurgy, abrasive, ceramics, fire- proof material, medicines, pesticides, food, health supplies, and new materials industries.



- 1、电机 motor 2、分级轮 classifying wheel 3、细料出口 fine powder discharge  
4、腔体 chamber 5、二次风口 secondary air input 6、粗料入口 coarse material outlet

## 多转子分级机技术参数 (Technical parameters for multi-rotors):

规格型号 Model	HFWS315	HFWS415	HFWS615
处理理T/h Processing capacity	1~5	2~8	3~10
产品粒径 d97: um Products Size	3~45	3~45	3~45
分级效率% Classifying Percentage	60~90	60~90	60~90
装机功率kW General Power	135~155	170~190	250~290

## 单转子分级机技术参数 (Technical parameters for Single-rotor):

规格型号 Model	HFWS140	HFWS200	HFWS220	HFWS260	HFWS315	HFWS330
处理理T/h Processing capacity	20~200	50~500	50~600	100~1500	200~2000	300~2500
产品粒径 d97: um Products Size	3~45	3~45	3~45	3~45	3~45	3~45
分级效率% Classifying Percentage	60~80	70~85	70~85	60~80	70~85	60~80
装机功率kW General Power	16~19	20~27	21~28	22~30	50~61	53~65